

REVISIONS

LTR	DESCRIPTION	DRAWN	DATE	APPVD.	DATE
	RELEASED PER ECO-05240	JRP	6/6/91	S.A.M.	8/5/91
B	REVISED PER ECO # 05356	RZ	12/12/91	S.A.M.	2-21-92
C	REVISED PER ECO # 05382	M.E.V.	6-2-92	<i>S.A.M.</i>	<i>6-2-92</i>

UNLESS SPECIFIED OTHERWISE
DIMENSIONS ARE IN INCHES
TOLERANCES ARE:
FRACTIONS DECIMAL ANGLES
± — .XX ± — ± —
XXX ± —
DO NOT SCALE DRAWING

FINISH

APPROVALS		DATE
DRAWN	J. PALERMO	5/21/91
CHECKED	S.A.M.	8-5-91
APPROVED		
APPROVED		



8123 MIRALANI DR.
SAN DIEGO, CA 92126

TITLE

130SS. 115/220V

THIS DOCUMENT AND THE DATA
DISCLOSED HEREIN OR HEREWITH IS
NOT TO BE REPRODUCED, USED OR
DISCLOSED IN WHOLE OR IN PART TO
ANYONE WITHOUT THE WRITTEN
PERMISSION OF POWCON INCORPORATED

SIZE	DRAWING NO.	REV.
A	101401	C
SCALE NONE	SHEET 1 OF 4	

I30SS SPECIFICATION

P/N 101401-001 INCLUDES:

1. DUAL VOLTAGE UNIT CAPABLE OF USE WITH HIGH-FREQUENCY REMOTE. WITH T-25 MALE QUICK CONNECTOR.
2. GROUND CLAMP WITH 2 METERS OF CABLE. WITH T-25 MALE QUICK CONNECTOR.
3. ELECTRODE HOLDER WITH 3 METERS OF CABLE.
4. OPERATORS MANUAL IN ENGLISH.
5. GENERIC CARDBOARD BOX WITH POWCON LABELS.
6. CARRYING STRAP & METAL HANDLE.

OPTIONS/ACCESSORIES:

1. HIGH-FREQUENCY WITH SLOPE. PULSE. GAS AND SPOT TIMER.
2. REMOTE CONTACT AND CURRENT CONTROL.

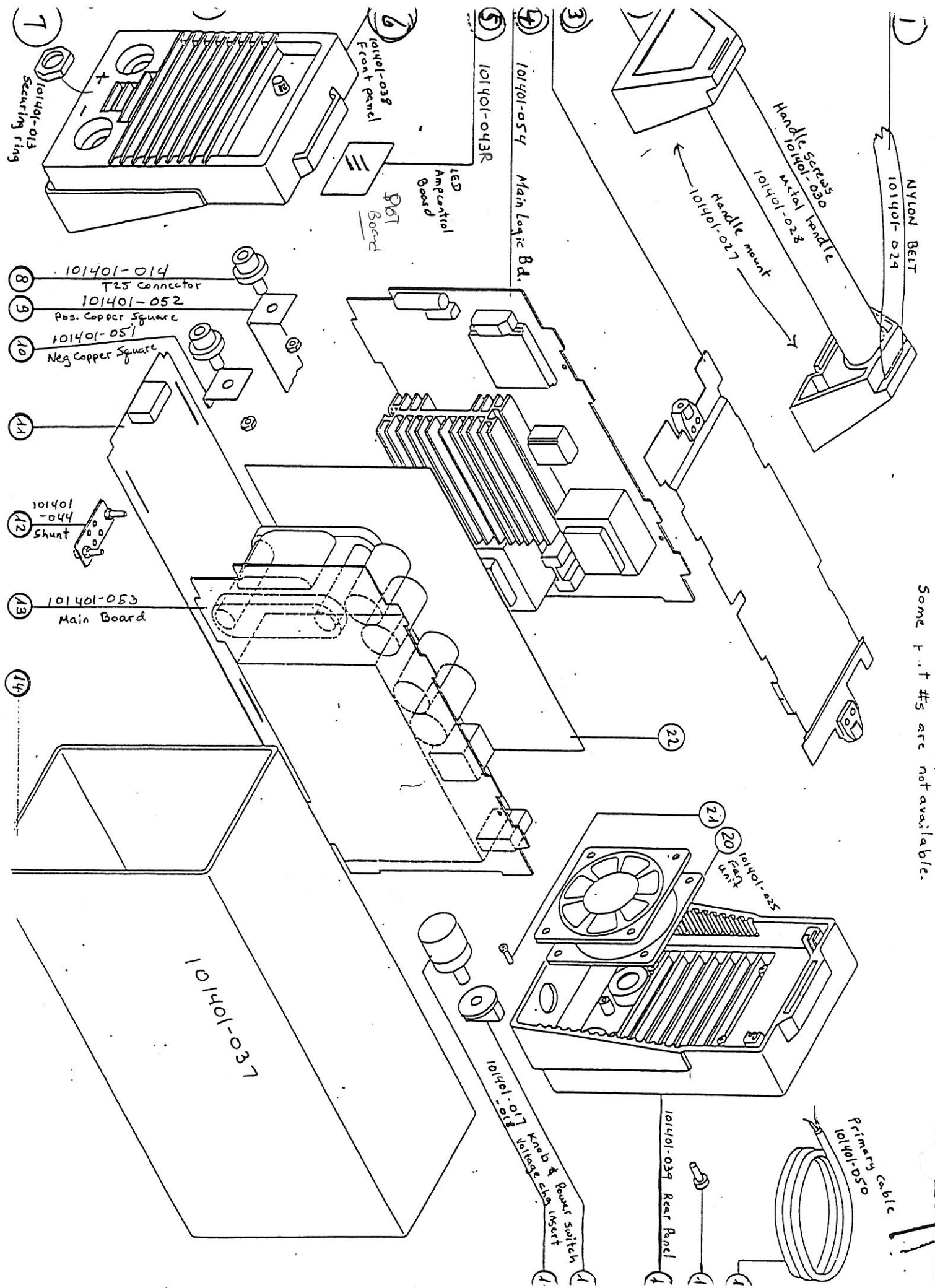
PROVIDED REQUIREMENTS FOR SHIPPING:

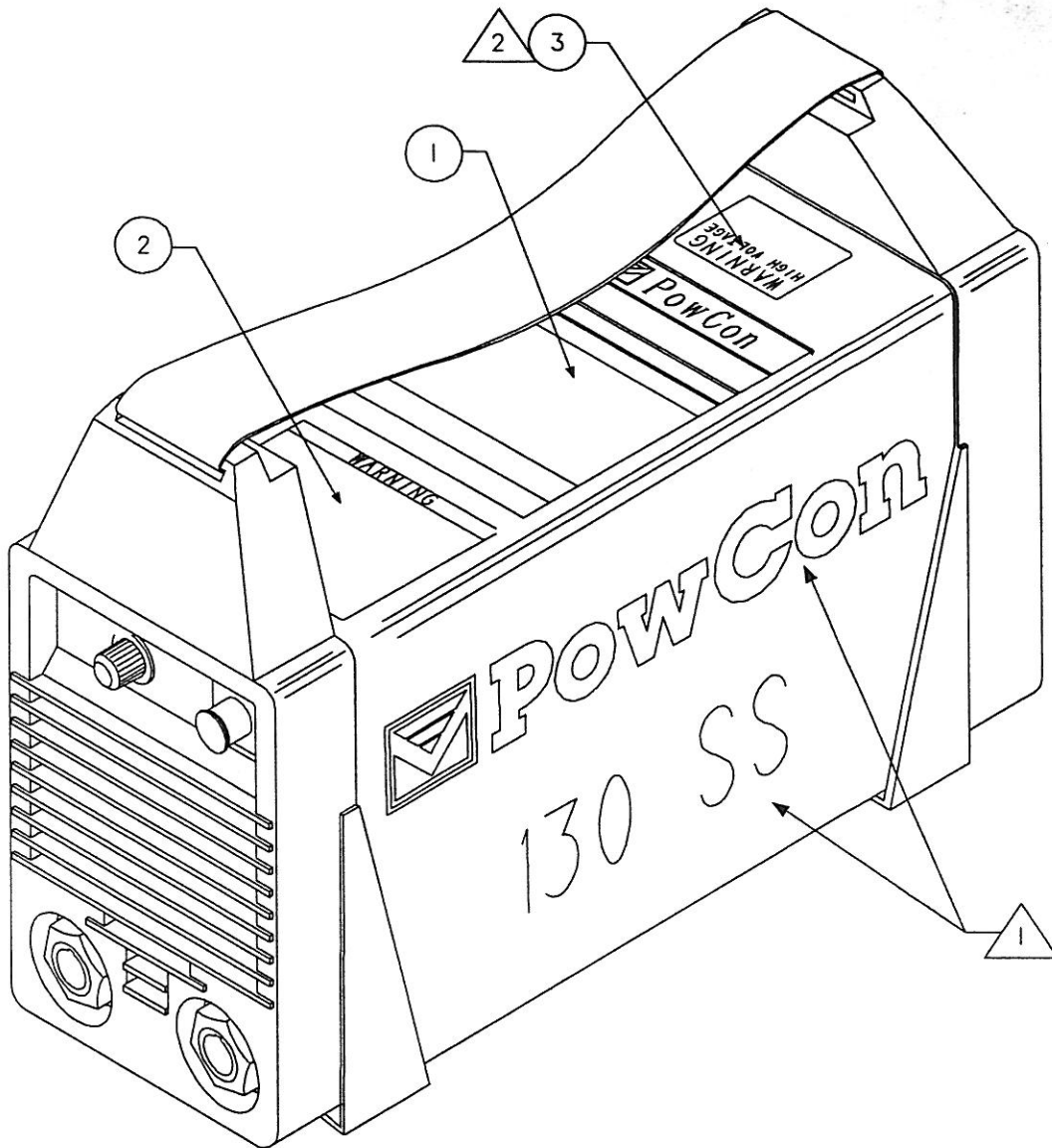
- EXTERNAL UNIT MARKINGS (TYPE, LOCATION, AND SIZE) INCLUDING SAFETY LABELS, DATA TAG AND PRODUCT NAME.
- "POWCON" OPERATORS MANUAL
- SHIPPING BOX LABELED (BOX SIZE: 26W x 47L x 35H. CM)
- ELECTRICAL NEEDS PER U.S. SPECIFICATIONS.

SIZE	DRAWING NO.	REV
A	101401	C
SCALE	NONE	SHEET 2 OF 4

13055

Some Part #s are not available.





- ① PowCon LABEL #101411-001
- ② NEMA WARNING LABEL #100108-001
- ③ HIGH VOLTAGE WARNING LABEL #100096-001

② READING OF HIGH VOLTAGE WARNING LABEL TO FACE BACK END OF UNIT.

① POWCON LOGO AND PRODUCT NO. "130SS". SHALL BE SILKSCREENED ON BOTH SIDES.

NOTES: UNLESS OTHERWISE SPECIFIED.

SIZE	DRAWING NO.	REV
A	101401	C
SCALE NONE		SHEET 3 OF 4

DASH NUMBER	DESCRIPTION	CEM PART NUMBER
-001	130SS 115/230	170500030
-002		
-003		
-004		
-005		
-006		
-007		
-008		
-009		
0	KIT. T25 QUICK CONNECTION	190002025
-011	KIT. AMP KNOB	090015030 090015930 090015810
-012	CONNECTOR 7 PIN 1/4 TURN	038060525
-013	RING. SECURING	800005317
-014	CONNECTOR. T25 OUTPUT	038055500
-015	STRAP. CARRYING	800003492
-016	MAIN CHASSIS ASSY	800005762
-017	KNOB. POWER SWITCH	035025219
-018	INSERT. VOLTAGE CHANGE-OVER	800005458
-019	CANNISTER	800005017

DASH NUMBER	DESCRIPTION	CEM PART NUMBER
-020	COVER. CANNISTER	800005018
-021	CLAMP. CABLE	038088120
-022	FOOT. REAR RUBBER	800005312
-023	FOOT. FRONT RUBBER	800005198
-024	DIODE	034045508
-025	FAN UNIT	800007035
-026	CABLE CONN 7 PIN 1/4 TURN	038060490
-027	HANDLE MOUNT	800005912
-028	METAL HANDLE	800005780
-029	NYLON BELT	800007459
-030	HANDLE SCREWS	014070043
-031	CONNECTOR 4 PIN THREADED	2GT2T31110
-032	CONNECTOR COVER	038060730
-033	CONNECTOR 7 PIN THREADED	800007467
-034	CABLE CONN 7 PIN THREADED	038060493

SIZE	DRAWING NO.	REV.
A	101401	C
SCALE	NONE	SHEET 4 OF 4

DASH NBR. DESC..... REV BC.MFG.NAME..... BC.MFG.PART.....

DASH NBR.	DESC	REV	BC.MFG.NAME	BC.MFG.PART
001	130SS 115/220V	D	CEM	1705000030
001R	130SS 115/220V	D	CEM	1705000030
001U	130SS 115/220V	D		
010	KIT,T25 QUICK CONNECTION	D	CEM	190002025
011	KIT,AMP CONTROL KNOB	D	CEM	SEE COMMENTS
012	CONNECTOR,7 PIN 1/4 TURN	D	CEM	038060525
013	RING,SECURING	D	CEM	800005317
014	CONNECTOR,T-25 OUTPUT	D	CEM	038055500
015	STRAP CARRYING	D	CEM	800003492
016	MAIN CHASSIS ASSEMBLY 130SS	D	CEM	800005762
017	KNOB & POWER SWITCH	D	CEM	035025219
018	INSERT,VOLTAGE CHANGE OVER	D	CEM	800005458
019	CANISTER	D	CEM	800005017
020	COVER,CANISTER	D	CEM	800005018
021	CLAMP,CABLE	D	CEM	038088120
022	FOOT,REAR RUBBER	D	CEM	800005312
023	FOOT,FRONT RUBBER	D	CEM	800005198
024	DIODE	D	CEM	034045508
025	FAN UNIT	D	CEM	800007035
026	CABLE CONN 7 PIN 1/4 TURN	D	CEM	038060490
027	HANDLE MOUNT	D	CEM	800005912
028	METAL HANDLE	D	CEM	800005780
029	NYLON BELT	D	CEM	800007459
030	HANDLE SCREWS	D	CEM	014070043
031	CONNECTOR,4 PIN THREADED	D	CEM	26C2T31110
032	CONNECTOR COVER	D	CEM	038060730
033	CONNECTOR,7 PIN THREADED	D	CEM	800007467
034	CABLE CONN,7 PIN THREADED	D	CEM	038060493
035	NYLON SCREW FRONT FOOT	D	CEM	014010825
036	FRONT PANEL OVERLAY	D	CEM	800008042
037	130SS PLASTIC CABINET	X	CEM	800005762
038	FRONT PANEL 130SS	X	CEM	800005789
039	REAR PANEL 130SS	X	CEM	800011910